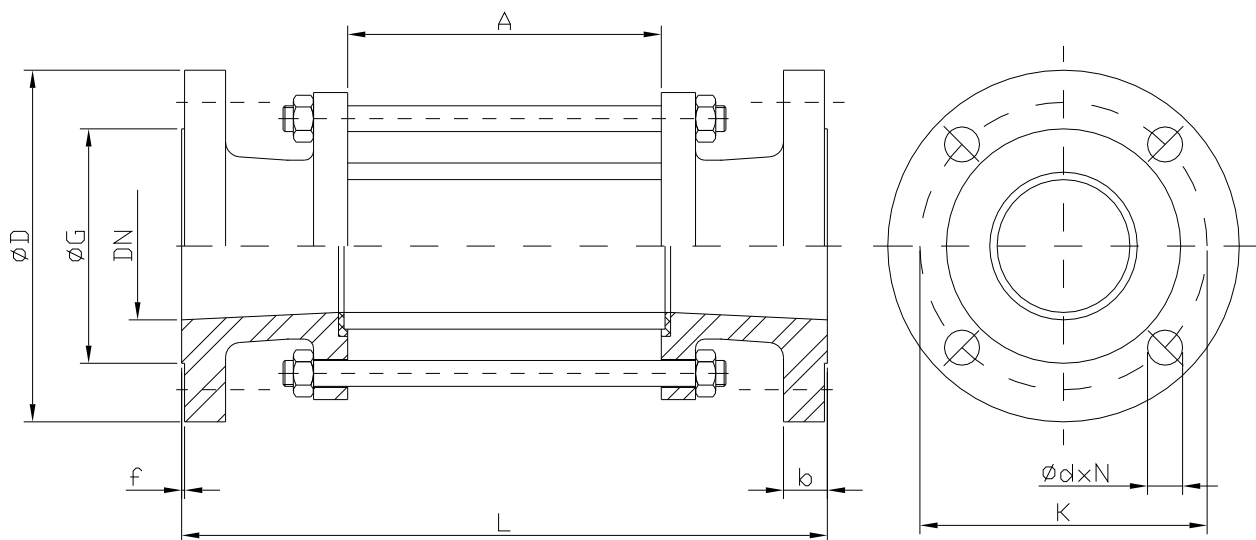


## ST-910

➡ VISOR DE FLUXO - TIPO CIRCULAR - ANSI 150 / 300



VÁLVULAS INDUSTRIAIS



LEGENDA																				
<input type="checkbox"/>	PADRÃO																			
<input type="checkbox"/>	SOB ENCOMENDA																			
		FERRO NODULAR	ASTM-A 216 WCB	ASTM-A 351 CFB	ASTM-A 351 CFBM	ASTM-A 351 CF3	ASTM-A 351 CF3M	ASTM-A 351 CA15	BOROCILICATO TEMPERADO	CRISTAL TEMPERADO	QUARTZO	PTFE (PURO)	PTFE+ FRAFITE	PTFE+ CARB GRAFITE	PTFE+ FIBRA DE VIDRO	PTFE+ FIBRA VIDRO+ GRAFITE	SAE 1020	AISI 304	AISI 316	OUTROS MATERIAIS
	FLANGE	<input type="checkbox"/>	<input type="checkbox"/>	<input type="checkbox"/>	<input type="checkbox"/>	<input type="checkbox"/>	<input type="checkbox"/>	<input type="checkbox"/>	<input type="checkbox"/>	<input type="checkbox"/>	<input type="checkbox"/>	<input type="checkbox"/>	<input type="checkbox"/>	<input type="checkbox"/>	<input type="checkbox"/>	<input type="checkbox"/>	<input type="checkbox"/>	<input type="checkbox"/>	<input type="checkbox"/>	<input type="checkbox"/>
	VISOR CIRCULAR								<input type="checkbox"/>	<input type="checkbox"/>	<input type="checkbox"/>									<input type="checkbox"/>
	VEDAÇÃO DOS FLANGES											<input type="checkbox"/>	<input type="checkbox"/>	<input type="checkbox"/>	<input type="checkbox"/>	<input type="checkbox"/>				<input type="checkbox"/>
	PRISIONEIRO TIPO ESTOJO																<input type="checkbox"/>	<input type="checkbox"/>	<input type="checkbox"/>	<input type="checkbox"/>

### ANSI 150

DN	LW	ØD	b	K	d X N	G	f	L	A
1/2"	15.0	88.9	11.1	60.5	15.9 x 4	35.0	1.6	250.0	150.0
3/4"	20.0	98.6	12.7	69.9	15.9 x 4	42.9	1.6	250.0	150.0
1"	25.0	108.0	14.3	79.2	15.9 x 4	50.8	1.6	250.0	150.0
1.1/4"	32.0	117.4	15.9	88.9	15.9 x 4	63.5	1.6	300.0	170.0
1.1/2"	40.0	127.0	17.5	98.6	15.9 x 4	73.2	1.6	300.0	170.0
2"	50.0	152.4	19.0	120.7	19.1 x 4	92.1	1.6	300.0	170.0
2.1/2"	65.0	177.8	22.2	139.7	19.1 x 4	104.7	1.6	350.0	170.0
3"	80.0	190.5	23.8	152.4	19.1 x 4	127.0	1.6	350.0	170.0
4"	100.0	228.6	23.8	190.5	19.1 x 8	157.2	1.6	350.0	170.0
6"	150.0	279.4	25.4	241.3	22.2 x 8	215.9	1.6	350.0	150.0

### ANSI 300

DN	LW	ØD	b	K	d X N	G	f	L	A
1/2"	15.0	95.3	14.2	66.7	15.9 x 4	35.0	1.6	250.0	140.0
3/4"	20.0	117.3	15.7	82.6	19.1 x 4	42.9	1.6	250.0	140.0
1"	25.0	124.0	17.5	88.9	19.1 x 4	50.8	1.6	250.0	140.0
1.1/4"	32.0	133.4	19.1	98.4	19.1 x 4	63.5	1.6	300.0	150.0
1.1/2"	40.0	155.6	20.6	114.3	22.2 x 4	73.2	1.6	300.0	150.0
2"	50.0	165.1	22.2	127.0	19.1 x 8	92.1	1.6	300.0	150.0
2.1/2"	65.0	190.5	25.4	149.2	22.2 x 8	104.7	1.6	350.0	150.0
3"	80.0	209.6	28.6	168.1	22.2 x 8	127.0	1.6	350.0	150.0
4"	100.0	254.0	31.8	200.0	22.2 x 8	157.2	1.6	350.0	150.0