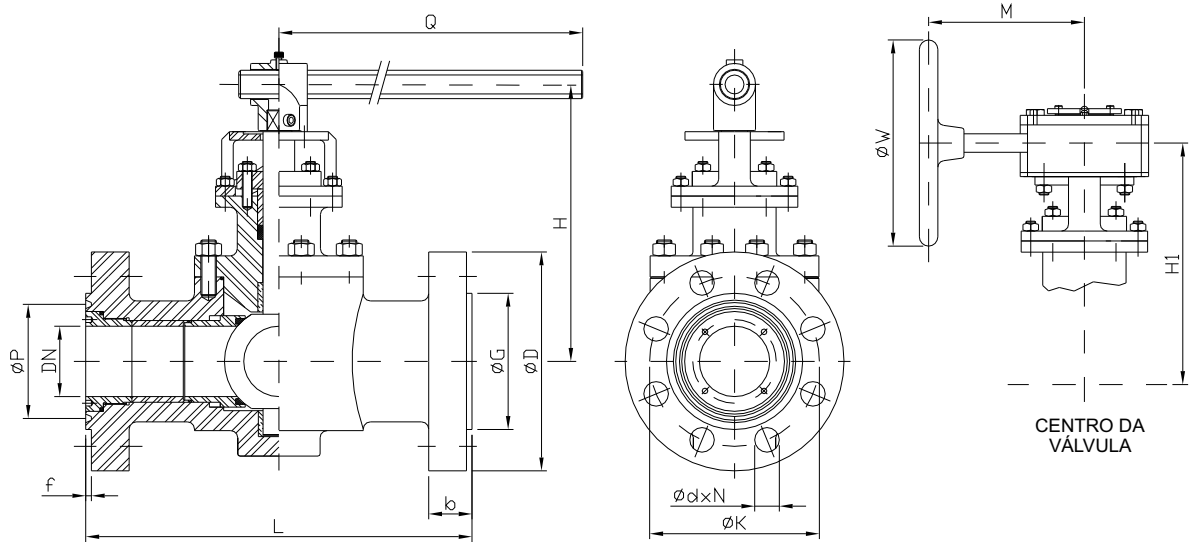


## ST-864

- ➡ VÁLVULA DE ESFERA - 2 VIAS - TOP ENTRY - ANSI - "FR" OU "RTJ"
- ➡ ACIONADA POR ALAVANCA, REDUTOR MANUAL, ELÉTRICO OU ATUADOR PNEUMÁTICO



VÁLVULAS INDUSTRIAIS



**ANSI 900**

DN	LW	FLANGE	ØD	b	K	d X N	P	G	f	L	O'RING	ALAVANCA		REDUTOR MANUAL		
												H	Q	H1	ØW	M
1"	25.0	"FR"	149.4	34.8	101.6	25.4 x 4	-*-	50.8	6.4	254.0	-*-	210.0	440.0	-*-	-*-	-*-
		"RTJ"		50.8			71.4	6.4	257.2	R 16						
2"	50.0	"FR"	215.9	44.5	165.1	25.4 x 8	-*-	91.9	6.4	368.3	-*-	280.0	440.0	-*-	-*-	-*-
		"RTJ"		95.2			124.0	7.9	371.5	R 24						
3"	76.0	"FR"	241.3	44.5	190.5	25.4 x 8	-*-	127.0	6.4	381.0	-*-	350.0	700.0	360.0	250.0	160.0
		"RTJ"		123.8			155.5	7.9	384.2	R 31						
4"	100.0	"FR"	292.1	50.8	235.0	31.8 x 8	-*-	157.2	6.4	457.2	-*-	-*-	-*-	400.0	350.0	180.0
		"RTJ"		149.4			180.9	7.9	460.4	R 37						
6"	150.0	"FR"	381.0	62.0	317.5	31.8 x 12	-*-	215.9	6.4	609.6	-*-	-*-	-*-	480.0	400.0	260.0
		"RTJ"		211.1			241.3	7.9	612.8	R 45						
8"	200.0	"FR"	469.6	69.9	393.7	31.8 x 12	-*-	269.8	6.4	736.6	-*-	-*-	-*-	530.0	400.0	265.0
		"RTJ"		269.9			307.9	7.9	739.8	R 49						
10"	250.0	"FR"	546.1	76.1	469.9	31.8 x 16	-*-	323.9	6.4	838.2	-*-	-*-	-*-	680.0	550.0	300.0
		"RTJ"		323.9			362.0	7.9	841.4	R 53						
12"	300.0	"FR"	609.6	85.6	533.4	31.8 x 20	-*-	381.0	6.4	965.2	-*-	-*-	-*-	760.0	550.0	300.0
		"RTJ"		381.0			419.1	7.9	968.4	R 57						

**ANSI 1500**

DN	LW	FLANGE	ØD	b	K	d X N	P	G	f	L	O'RING	ALAVANCA		REDUTOR MANUAL		
												H	Q	H1	ØW	M
1"	25.0	"FR"	149.4	34.8	101.6	25.4 x 4	-*-	50.8	6.4	254.0	-*-	210.0	440.0	-*-	-*-	-*-
		"RTJ"		50.8			71.4	6.4	257.2	R 16						
2"	50.0	"FR"	215.9	44.5	165.1	25.4 x 8	-*-	91.9	6.4	368.3	-*-	280.0	440.0	-*-	-*-	-*-
		"RTJ"		95.2			124.0	7.9	371.5	R 24						
3"	76.0	"FR"	266.7	54.1	203.2	31.8 x 8	-*-	127.0	6.4	469.9	-*-	350.0	700.0	360.0	250.0	160.0
		"RTJ"		136.5			168.2	7.9	473.1	R 35						
4"	100.0	"FR"	311.2	60.2	241.3	31.8 x 8	-*-	157.2	6.4	546.1	-*-	400.0	700.0	400.0	350.0	180.0
		"RTJ"		161.9			193.6	7.9	549.3	R 39						
6"	150.0	"FR"	393.7	89.0	317.5	38.1 x 12	-*-	215.9	6.4	704.9	-*-	-*-	-*-	480.0	400.0	260.0
		"RTJ"		211.1			247.9	7.9	711.0	R 46						
8"	200.0	"FR"	482.6	98.5	393.7	44.5 x 12	-*-	269.8	6.4	831.9	-*-	-*-	-*-	530.0	400.0	265.0
		"RTJ"		269.9			317.5	7.9	841.4	R 50						
10"	250.0	"FR"	584.2	114.4	482.6	50.8 x 12	-*-	323.9	6.4	990.6	-*-	-*-	-*-	680.0	550.0	300.0
		"RTJ"		323.9			372.0	7.9	1000.0	R 54						
12"	300.0	"FR"	673.1	130.2	571.5	54.0 x 16	-*-	381.0	6.4	1130.0	-*-	-*-	-*-	760.0	550.0	300.0
		"RTJ"		381.0			438.1	7.9	1146.0	R 58						

**ANSI 2500**

DN	LW	FLANGE	ØD	b	K	d X N	P	G	f	L	O'RING	ALAVANCA		REDUTOR MANUAL		
												H	Q	H1	ØW	M
1"	25.0	"FR"	158.8	41.4	108.0	25.4 x 4	-*-	50.8	6.4	308.0	-*-	210.0	440.0	-*-	-*-	-*-
		"RTJ"		60.3			82.6	6.4	311.0	R 18						
2"	50.0	"FR"	235.0	57.2	171.5	28.4 x 8	-*-	91.9	6.4	451.0	-*-	280.0	440.0	-*-	-*-	-*-
		"RTJ"		101.6			133.4	7.9	454.0	R 26						
3"	76.0	"FR"	304.8	72.9	228.6	35.1 x 8	-*-	127.0	6.4	578.0	-*-	350.0	700.0	360.0	250.0	160.0
		"RTJ"		127.0			168.2	9.5	584.2	R 32						
4"	100.0	"FR"	355.6	82.6	273.1	41.1 x 8	-*-	157.2	6.4	673.0	-*-	400.0	700.0	400.0	350.0	180.0
		"RTJ"		157.2			203.2	11.2	682.6	R 38						
6"	150.0	"FR"	486.6	114.3	368.3	53.8 x 8	-*-	215.9	6.4	914.0	-*-	-*-	-*-	480.0	400.0	260.0
		"RTJ"		228.6			279.4	12.7	927.0	R 47						